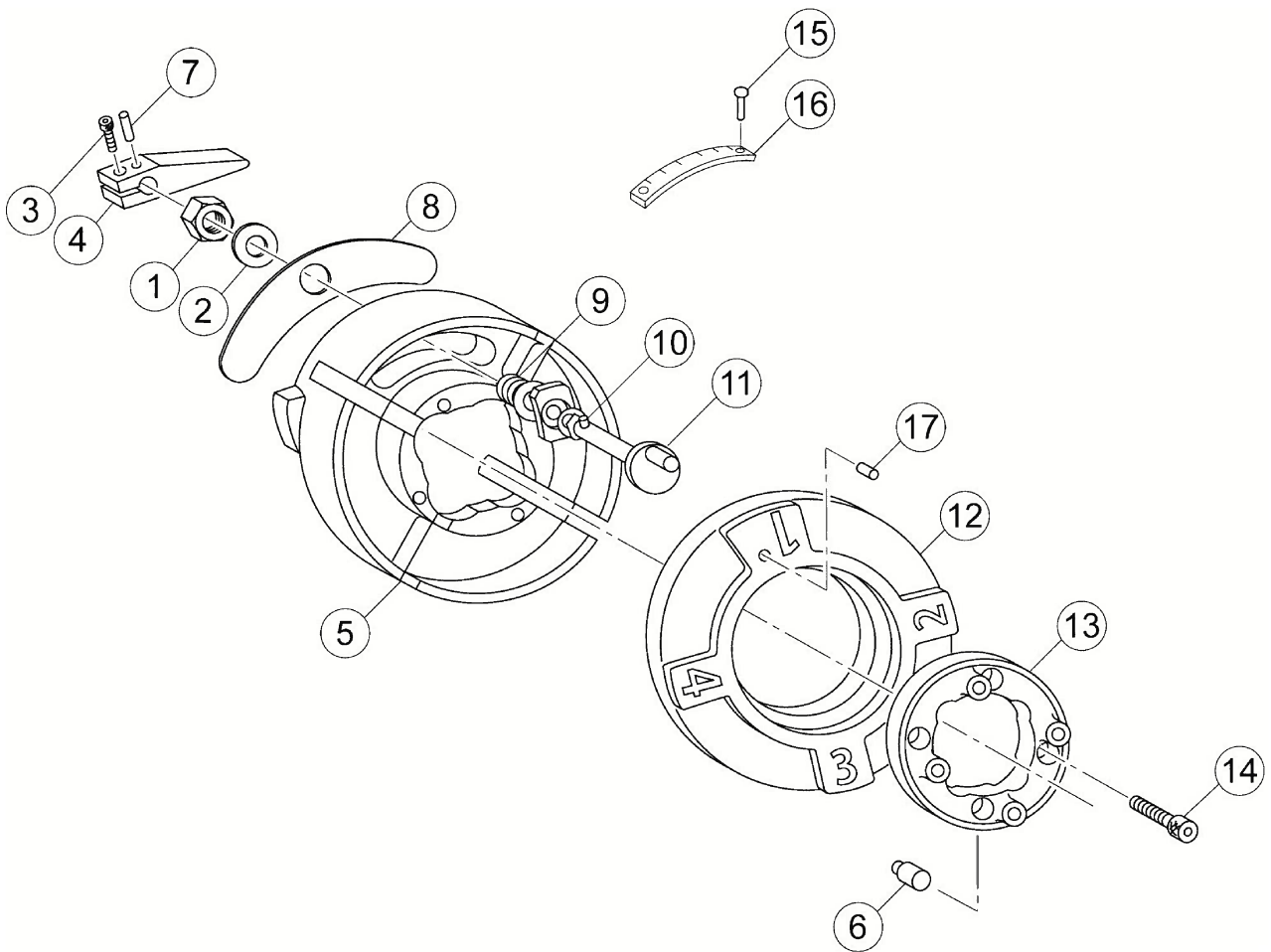


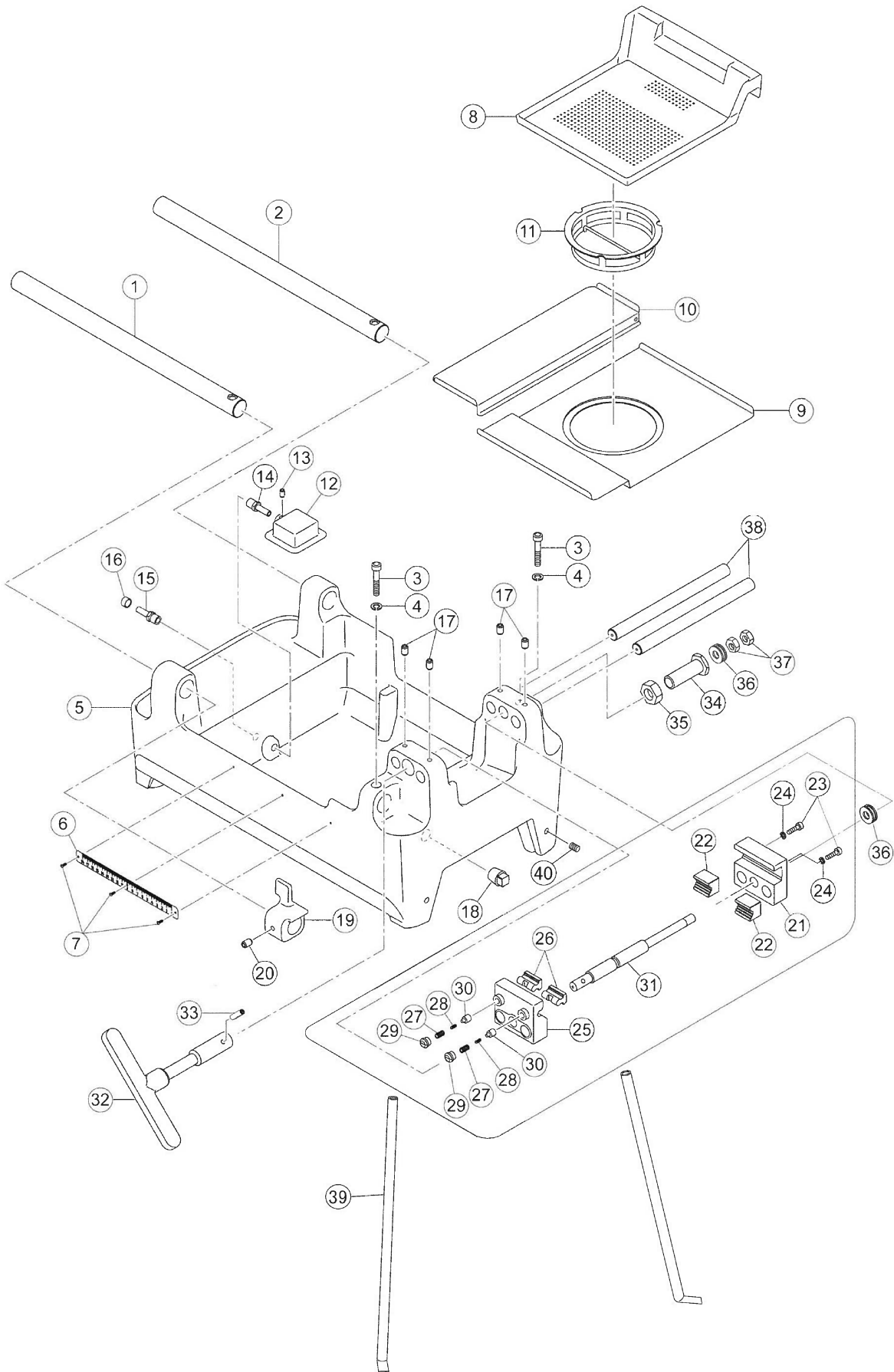
DIE HEAD FOR BOLT MACHINE 25 PRO



DIE HEAD FOR BOLT MACHINE 25 PRO

Ref. No.	Code No.	Ref. No.	Code	Parts Name
	10100	BM DIE-HEAD W5/16-1"		
	10118	BM DIE-HEAD M8-24		
	10119	BM DIE-HEAD UNC/UNF 5/16-1"		
	10126	BM DIE-HEAD M8-24 LEFT		
1	10108	BTM S NUT	1	
2	10113	WASHER	1	
3	80158	HEX BOLT 5x15	1	
4	10129	OPEN - CLOSE LEVER	1	10106⇒10128 (2015)※
5	10101	BTM DIE HEAD BODY W5/16-1	1	For #10100 and #10118
5	10121	BTM DIE-HEAD BODY W3/8-1 LEFT	1	For #10126
6	88597	BALL CAP 6mm	4	
7	83005	SPRING PIN 3x15L	1	
8	10114	BTM CURVE PLATE GRAY	1	
9	10107	BTM OPEN-CLOSE PIN GUIDE	1	
10	81132	WAVE WASHER 10	2	
11	10128	OPEN - CLOSE PIN	1	10105⇒10128 (2015)※
12	10102	BTM CAM PLATE W5/16-1	1	For #10100 and #10118
12	10122	BTM CAM PLATE W3/8-1 LEFT	1	For #10126
13	01123	BTM RETAINING RING W5/16-1GRAY	1	
14	80165	STOP BOLT 6x18	4	
15	83352	PLATE TACK 2x4.8	2	
16	10115	BTM SCALE PLATE W5/16-1	1	For #10100
16	10116	BTM SCALE PLATE M8-24	1	For #10118 and #10126
16	10127	SCALE PLATE UNC/UNF 5/16-1	1	For #10119
17	16113	BTM PLUG	1	
SET	88664	DIES OPENING LEVER COMPLETE (RIGHT)	1	(No.1-4, 7, 9-11)
SET	88944	DIES OPENING LEVER COMPLETE (LEFT)	1	(No.1-4, 7, 9-11)
				※New and Old parts are not alternative.
				Die-head produced before 2015, No.4 & No.11 should be replaced together.

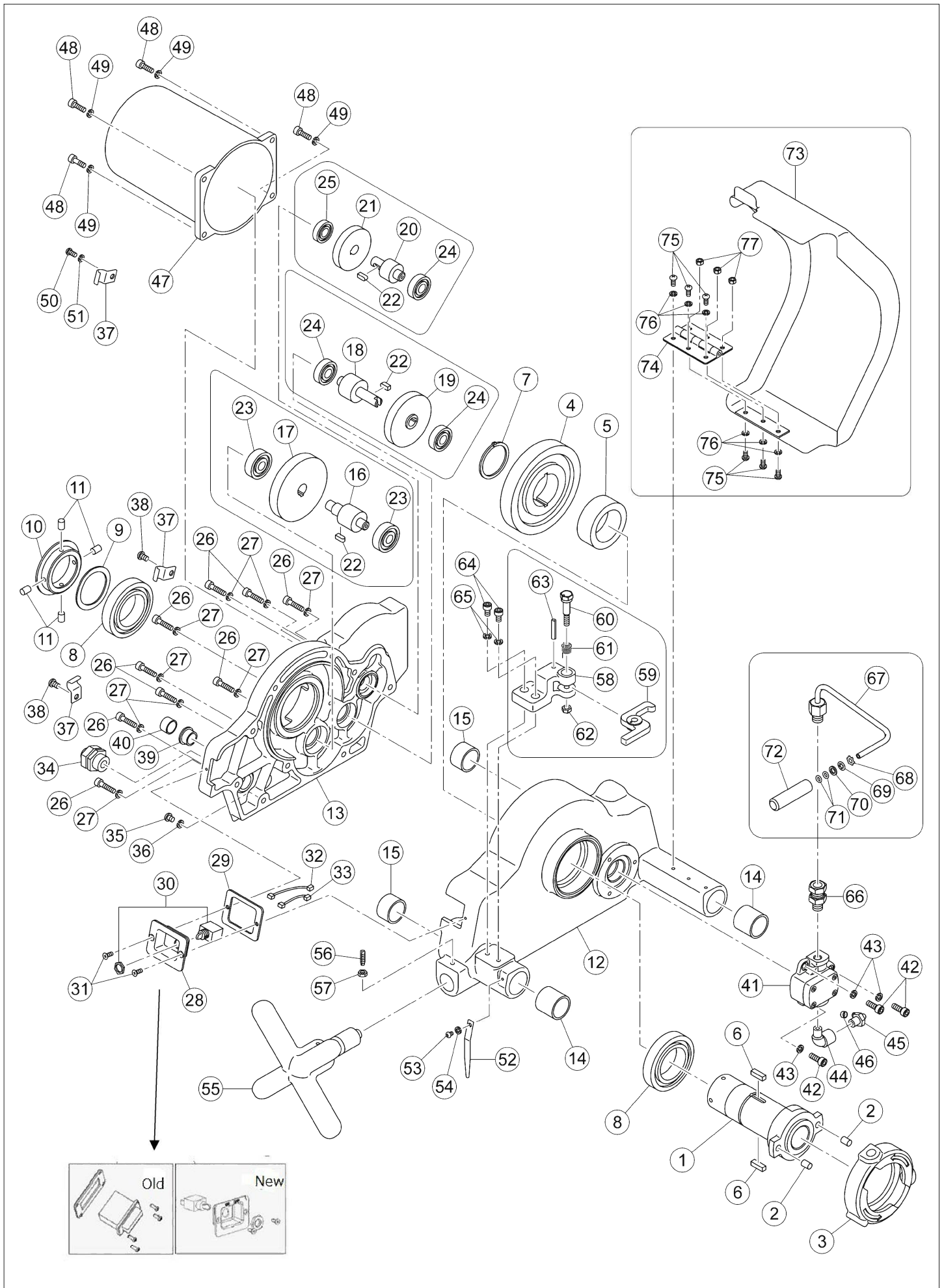
BOLT MACHINE 25PRO



BOLT MACHINE 25PRO

Ref. No.	Code No.	Ref. No.	Code	Parts Name
1	BM042	BTM GUIDE BAR F	1	
2	BM041	BTM GUIDE BAR R	1	
3	80182	HEX BOLT 8 x 45	2	
4	81254	SPRING WASHER CM8	2	
5	BM043	BTM FRAME	1	
6	BM044	BTM STROKE SCALE	1	
7	83352	PLATE TACK 2x4.8	3	
8	BE892	BE80 CHIP PAN	1	
9	BM047A	BTM OIL TANK LID A	1	BM047→BM047A (2016.9 Serial No.803811-)
10	BM047B	BTM OIL TANK LID B	1	BM047→BM047B (2016.9 Serial No.803811-)
11	19717	STRAINER FOR BE80/BE100/AS4/P90/C104	1	BM048→19717 (2016.9 Serial No.803811-)
12	18331	FILTER	1	
13	80162	STOP BOLT 6x12	1	
14	BE896	BE80 SUCTION PIPE	1	
15	85083	CONNECTOR GES8xPT1/4	1	
16	85608	HOSE BAND ϕ 12	1	85612→85608 (2020)
17	80369	HEX SOCKET SET BOLT M8x12L BL	4	
18	84249	OIL TANK PLUG 1/2	1	
19	BM051	BTM OPEN DOCK	1	
20	80369	HEX SOCKET SET BOLT M8x12L BL	1	
21	BM054	BTM VISE JAW HOLDER R	1	
22	BM055	BTM VISE JAW R	2	
23	80166	STOP BOLT 6x20 (80116)	2	
24	81251	SPRING WASHER CM6	2	
25	BM056	BTM VISE JAW HOLDER F	1	
26	BM057	BTM VISE JAW F	2	
27	BE506	BE50 HAMMER CHUCK SPRING A	2	
28	BE507	BE50 HAMMER CHUCK SPRING B	2	
29	BE508	BE50 CHUCK BOLT	2	
30	BE509	BE50 HAMMER CHUCK PIN	2	
31	BM058	BTM VISE FEED SCREW	1	
32	BM059	BTM VISE HANDLE COMPLETE	1	
33	83038	R-PIN 6x24	1	
34	BM062	BTM VISE ADJUSTING BOLT	1	
35	81014	HEX NUT M20	1	81027→81014 (2015.12 Serial No.602671-)
36	84119	THRUST BEARING 51101	2	
37	81045	HEX NUT M12(3)	2	
38	BM061	BTM VISE GUIDE BAR	2	
39	63914	LEG FOR AS2 / BE50	4	
40	80381	HEX SCREW M10x18L	4	
SET	BM053	BTM VISE COMPLETE		(No. 21-30)

BOLT MACHINE 25PRO



BOLT MACHINE 25PRO

Ref. No.	Code No.	Ref. No.	Code	Parts Name
1	BM003	BTM SPINDLE	1	
2	10708	BTM SPINDLE PIN	2	
3	10103	BTM DIE-HEAD SET RING	1	
4	BM004	BTM SPINDLE GEAR	1	
5	BM031	BTM SPINDLE COLLER	1	
6	21207	PARALLEL KEY 6x6x20	2	
7	83343	C SNAP RING S-45	1	
8	84420	BEARING 6009 2RS	2	
9	81138	CORRUGATED WASHER BWW6305	1	
10	BM005	BTM SPINDLE STOPPER	1	
11	70523	SPECIAL PIN 5 x 10	4	
12	BM006	BTM SPINDLE CASE BODY	1	Switch Old & New type (2015), no compatibility
13	BM007	BTM SPINDLE CASE COVER	1	Switch Old & New type (2015)
14	87377	BTM DRY METAL DBB2830	2	
15	87378	BTM DRY METAL DBB2820	2	
16	BM038	BTM OOUTPUT SHAFT PINION	1	BM008→BM038 (2017.1 Serial No. 800011-)
17	BM039	BTM OUTPUTSHAFT REDUCTION GEAR	1	BM009→BM039 (2017.1 Serial No. 800011-)
18	BM010	BTM 2ND SHAFT PINION	1	
19	BM011	BTM 2ND SHAFT REDUCTION GEAR	1	
20	BM012	BTM 1ST SHAFT PINION	1	
21	BM013	BTM 1ST SHAFT REDUCTION GEAR	1	
22	20209	KEY 5x5x13	3	
23	84188	BALL BEARING 6301ZZ	2	
24	84116	BALL BEARING 6201ZZ	3	
25	84114	BALL BEARING 6001ZZ	1	
26	80167	STOP BOLT 6x25	9	
27	81251	SPRING WASHER CM6	9	
28	BE317	BE25 SWITCH PLATE	1	BM014→BE317 (2015.10 Serial No.602411-)
29	BM032	BTM SWITCH PLATE COVER	1	BM015→BM032 (2015.10 Serial No.602411-)
30	87167	SWITCH STE115A10	1	87165→87167 (2015.10 Serial No.602411-)
31	82295	PAN HEAD SCREW 4x8	2	82177→82295 (2015.10 Serial No.602411-)
32	BM033	BTM SWITCH CORD A	1	BM016→BM033 (2015.10 Serial No.602411-)
33	BM017	BTM SWITCH CORD B	1	
	BM079	BTM POWER CODE 100V-120V	1	
	BM078	BTM POWER CODE 220V-240V	1	
34	70335	CORD CONNECTOR OA-W1611	1	
35	88899	PAN HEAD SCREW M6x8L BRASS	1	
36	81246	TOOTHED LOCK WASHER 6	1	
37	19722	TUBE HOOK	3	
38	82200	PAN-HEAD SCREW 6x10	2	
39	70605	ONE-TOUCH BUSH NB-15	1	
40	85412	HOSE dia17-13 (30mmx1,500mmx1)	1	
41	BE42R	BE GEAR PUMP 18AR	1	BE42R→BE41R(2016), BE41R→BE42R(2017)
42	80165	STOP BOLT 6x18	3	
43	81251	SPRING WASHER CM6	3	
	85484	OIL HOSE TB-8	1	85480→85484 (2016.9)
	85412	HOSE dia17-13 (30mmx1,500mmx1)	1	
44	85023	M-ELBOW 1/4x1/4	1	85023→85019(2016), 85019→85023(2017)
45	85082	ELBOW WES 8XPT1/4	1	85082→85088(2016), 85088→85082(2017)
46	85608	HOSE BAND φ 12	1	85612→85602(2016.3), 85602→85608(2020)
47	BE908	BE80 MOTOR 100V-120V	1	
47	BE864	BE80 MOTOR 220V-240V	1	
	BE926	BE80 ARMATURE 100-120V	1	
	BE978	BE80 ARMATURE 220-240V	1	
	BE977	BE80 STATOR COIL 100-120V	1	
	BE976	BE80 STATOR COIL 220-240V	1	

BOLT MACHINE 25PRO

Ref. No.	Code No.	Ref. No.	Code	Parts Name
	70858	CARBON BRUSH BE80/BE100/AS4	1 SET	
	70859	CARBON HOLDER FOR ASTRONIC 4	2	
	70860	CARBON CAP	2	
48	80167	STOP BOLT 6x25	4	
49	81251	SPRING WASHER CM6	4	
50	82181	PAN-HEAD SCREW 6 x 10	1	
51	81112	SPRING WASHER M5	1	
	85482	SPIRAL TUBE TP— 12 WHITE	2	
52	BM049	BTM NEEDLE INDICATOR	1	
53	80152	STOP BOLT 4x10	1	
54	81111	SPRING WASHER M4	1	
55	BE917	BE80 RACK HANDLE COMPLETE	1	
56	80404	STOP BOLT 6x22	1	
57	81066	HEX NUT M6	1	
58	BM021	BTM DIES OPENING BRACKET	1	
59	BM022	BTM DIES OPENING BODY	1	
60	BM023	BTM DIES OPENING PIN	1	
61	BM024	BTM DIES OPENING RETURN SPRING	1	
62	81042	U-NUT M6	1	
63	83026	SPRING PIN M5x30L	1	
64	80164	HEX BOLT 6 x 8	2	
65	81251	SPRING WASHER CM6	2	
66	EP352	EP2 ADAPTER 1/4	1	BM026→EP352 (2017.6 Serial No.804001-)
67	BM088	BTM OIL PIPE	1	(2017.6 Serial No.804001-)
68	83319	CR-STOP RING CRTW-12	1	(2017.6 Serial No.804001-)
69	84001	O-RING P-8	1	(2017.6 Serial No.804001-)
70	83320	SNAP RING CSTW-6	1	(2017.6 Serial No.804001-)
71	84021	O-RING CSTW-6	2	(2017.6 Serial No.804001-)
72	BM085	OILING NOZZLE	1	(2017.6 Serial No.804001-)
73	BM037	BTM OIL COVER	1	BM030→BM037 (2016.6 Serial No.804001-)
74	88806	HINGE 75x50	1	
75	82181	PAN-HEAD SCREW 6 x 10	6	
76	81112	SPRING WASHER M5	6	
77	81003	HEX NUT 2SJ M5	3	
SET	BM072	BTM OUTPUT SHAFT ASSEMBLY		(No. 16, 17, 22, 23)
SET	BM073	BTM 2ND SHAFT ASSEMBLY		(No. 18, 19, 22, 24)
SET	BM074	BTM 1ST SHAFT ASSEMBLY		(No. 20-22, 24, 25)
SET	BM020	BTM DIES OPENING BRACKET COMPLETE		(No. 58-63)
SET	BM084	BTM OILING PIPE COMPLETE		(No. 67-72) M025→BM084 (2017.6 Serial No.804001-)
SET	BM036	BTM OIL COVER COMPLETE		(No. 73-77) BM029→BM036 (2016.6 Serial No.804001-)
	BG525	BE50G ASADA LOGO PLATE	1	New Design (2022.5)
	71130	BLIND RIVET AT-32	4	New Design (2022.5)